

Classic Series

product specifications

POU drinking water faucet

Everpure Classic series drinking water faucets deliver a steady stream of premium quality filtered water from Everpure commercial grade water filtration systems. These separate filter faucets are available in three stunning finishes and colors to match today's high end kitchen faucets.



For commercial grade water filtration

It's water filtration you can trust

The same commercial quality that makes Everpure the overwhelming choice for water filtration in restaurants is also available for your home. Everpure's exclusive precoat filtration technology combines Micro-Pure and a unique pleated filter membrane to reduce particles as small as 0.5 microns. This highly engineered design offers the largest filtering surface area, longer life and consistent performance.

the pure solution

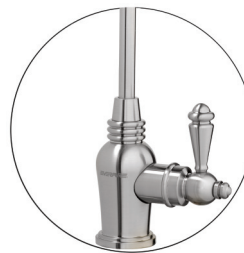
Our products polish water to premium quality so that water is sparkling and free of unwanted tastes and odors. You'll taste the difference in every sip and everything made with water will taste better, too.

the convenient solution

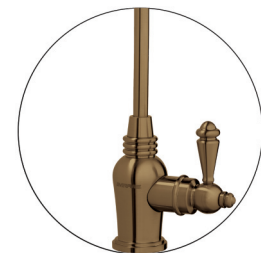
Everpure systems are easily installed using common household tools. Our systems mount under your sink and are plumbed to a separate filter faucet. And cartridge replacement is easy, too — just like changing a light bulb.

Everpure Classic Drinking Water Faucets feature:

- > Classic, versatile design
- > Selection of three beautiful finishes to match the most popular designer faucets
- > Lead-free
- > Forged brass construction
- > Aerator tip provides even, clear stream of filtered water
- > Ceramic disc type valve
- > 0.5 GPM flow
- > Certified to NSF/ANSI 61
- > RO compatible with the use of a separate air gap



Brushed Nickel



Tuscan

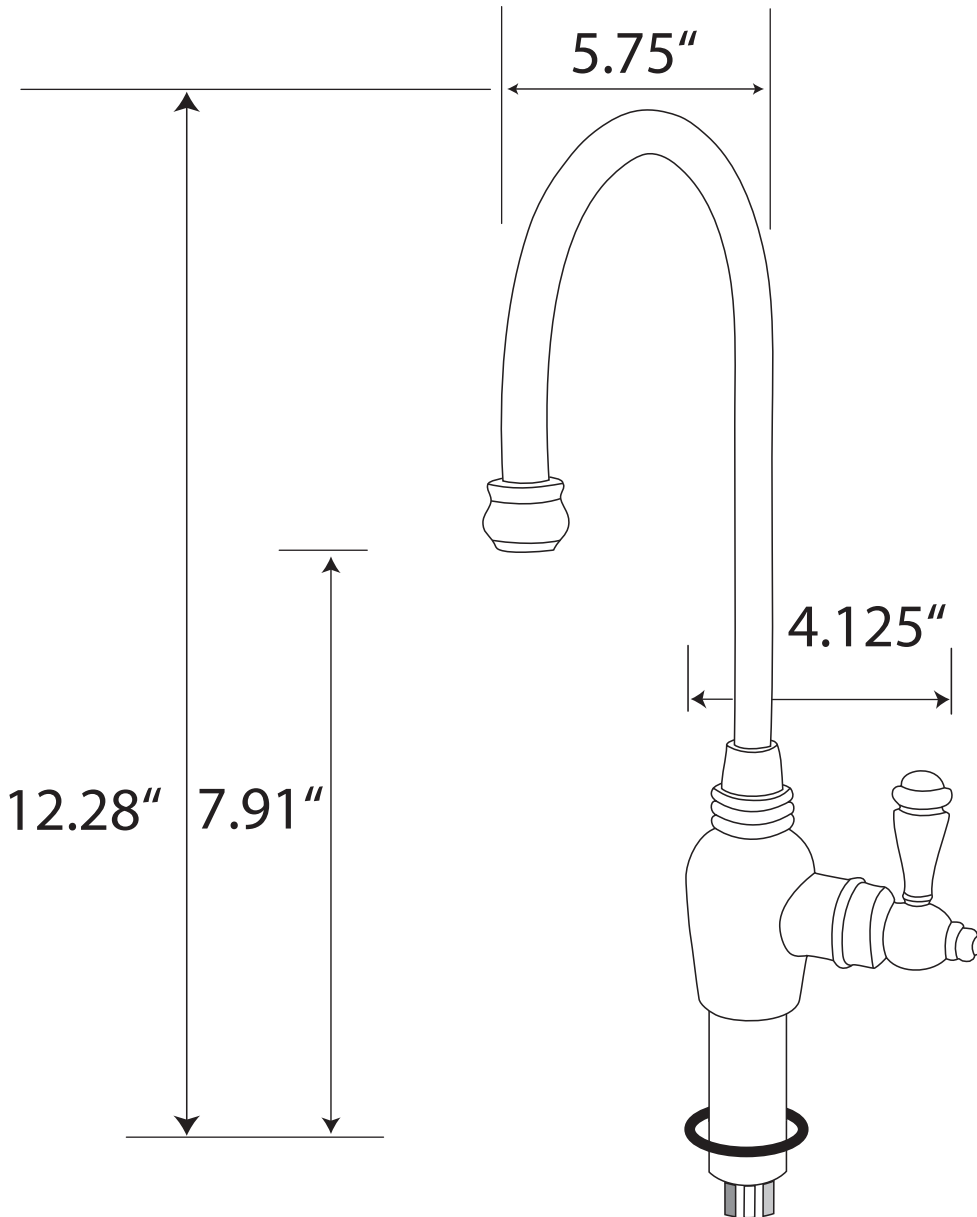
EVERPURE
WATER YOU CAN TRUST®

Classic Series

product specifications

POU drinking water faucet

Chrome Finish - Part No. EV9007-00
Brushed Nickel Finish - Part No. EV9007-01
Tuscan Finish - Part No. EV9007-02



flow rate

0.5 gal./min. (1.9L/min.)

operating pressure

20 to 90 psi

temperature

50 to 90 °F (10 to 35 °C)

installation

1/2" or standard sink hole installation

everpure warranty

This faucet is warrant to be free and clear of defect and workmanship defect for 5 years. The coated finish is warranted for 3 years. After 3 years, depending on local water conditions and/or cleaning agents used, the coating may not be as bright as new. For general cleaning, use a soft damp cloth. The use of cleaning chemicals is not recommended.

Everpure, LLC
1040 Muirfield Drive
Hanover Park, IL 60133 USA
Phone: (630) 307-3000
Fax: (630) 307-3030
Customer Service: (800) 323-7873
Technical Service: (800) 942-1153
www.everpure.com

EVERPURE
WATER YOU CAN TRUST®